



I Application

The Hyginox SN pump is a centrifugal stainless-steel pump suitable for motor assembly according to the USA NEMA standards.

This pump is specially designed for the food-processing industry, dairy and beverage production as well as CIP supply and auxiliary services in the chemical industry.

I Operating principle

Housed inside the casing, the impeller rotates in conjunction with the pump shaft.

With this arrangement, the impeller blades convey energy to the fluid in the form of kinetic energy and pressure energy.

This pump is not reversible by simple reversal of the direction of rotation. The direction of rotation is clockwise when the pump is viewed from the rear side of the motor.

I Design and features

Casing manufactured with cold-formed plate.

Clamp connections.

Open impeller manufactured with stainless steel investment casting technology.

Mechanical seal according to DIN 24960 L1K

Suitable for NEMA-C motors.

I Materials

Parts in contact with the product	AISI 316L
Other parts	AISI 304
Gaskets	EPDM according to FDA 177.2600
Mechanical seal	C/SiC/EPDM
Lantern	GG-15
Inside surface finish	Ra < 0.8 µm
Outside surface finish	Mirror polished

Open impeller



I Options

Mech.seal in C/St.St and SiC/SiC.

Gaskets in FPM and PTFE.

Self-priming casing.

Drainage connection.

Stainless steel motor.

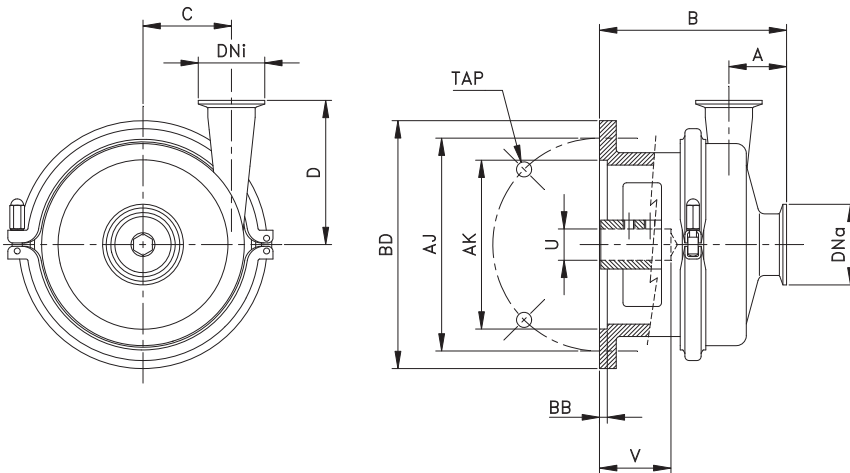
Trolley and/or electric panel.

Stainless steel legs.



I Technical specifications

Max. flow	150 m ³ /h	660 GPM
Max. head	100 bar	328 PSI
Max. suction pressure	4 bar	58 PSI
Max. working temperature	120 °C	248°F
Max. speed	3500 min ⁻¹	



Pump	Motor size	Dna	DNi	A	B	C	D	U	V	AJ	AK	BB	BD	TAP
SN - 15	A 56C	1½"	1½"	40	167	55	92	15.88	55	149.2	114.3	4	168	11
	B 143 / 145TC							22.23	56					
SN - 20	A 56C	2"	1½"	52	178	74	131	15.88	55	149.2	114.3	4	168	11
	B 143 / 145TC							22.23	56					
	C 182 / 184TC				28.58			75	184.2	215.9	6	230	14	
	D 213TC				34.93			88						
SN - 26	A 56C	3"	2"	61	196	72	145	15.88	55	149.2	114.3	4	168	11
	B 143 / 145TC				22.23			56						
	C 182 / 184TC				28.58			75	184.2	215.9	6	230	14	
	D 213 / 215TC				34.93			88						
	E 254TC				41.28			104				250		
SN - 28	B 143 / 145TC	1½"	1½"	58	178	107	137	22.23	56	149.2	114.3	4	168	11
	C 182 / 184TC				28.58			75						
	D 213 / 215TC				34.93			88	184.2	215.9	6	230	14	
	E 254TC				41.28			104						
SN - 35	B 145TC	3"	2"	77	22.23	104	163	22.23	56	149.2	114.3	4	168	11
	C 182 / 184TC				28.58			75						
	D 213 / 215TC				34.93			88	184.2	215.9	6	230	14	
	E 254 / 256TC				41.28			104						
	F 284 / 286TSC								228.6	266.7		250		
	G 324TSC				47.63			98	279.4	317.5		280		
SN - 38	C 182 / 184TC	4"	3"	56	200	98	184	28.58	75	149.2	114.3	4	168	11
	D 213 / 215TC				34.93			88						
	E 254 / 256TC				41.28			104	184.2	215.9	6	230	14	
	F 284 / 286TSC													228.6
	G 324 / 326TSC				47.63			98	279.4	317.5		280		



The information contained in this brochure is for guidance only. We reserve the right to modify any material or feature without notice in advance. For further information, please, consult our web site. www.inoxpa.com



FT-HYGINOX SN.1.EN-0604