

I Application

The Prolac SA pump is a centrifugal pump specially designed to transfer liquids containing air or gas without losing its pumping power. It can be used in the food-processing, pharmaceutical and chemical industries.

It can also be used for wine, oil, syrups, volatile products such as alcohol, acetone and other solvents, or with products at temperatures close to boiling point. However, the main use of this pump is for CIP return.

I Operating principle

The Prolac SA pump is a self-priming pump which does not require the use of a vacuum pump or other equipment such as a foot valve or additional piping.

The pump must be primed with liquid only once before starting-up. When the pump starts, it suctions the air or gas present inside the suction pipe and mixes it with the fluid inside the pump casing. The centrifugal force drives the liquid-gas mixture to the higher part of the casing. Due to the large dimensions of the casing, the fluid loses the speed and the air is expelled through the discharge pipe.

Thus, the air is eliminated from the suction pipe till the liquid reaches the pump casing and then the pump operates as normal centrifugal pump.

It is very important that the suctioned air can escape when running along the discharge pipe without being subject to any kind of counter-pressure.

Users are strongly advised not to reduce the hydraulic power of the pump by reducing the size of the impeller or reducing the speed of the motor by means of a frequency converter since this would affect the suction power of the pump.

I Design and features

Welded casing manufactured in cold-formed plate.

Very robust stainless steel lantern.

Open investment casting impeller.

DIN connections.

Sanitary mechanical seal.

Check valve in the inlet to avoid siphoning when the pump stops.

I Materials

Parts in contact with the product

AISI 316L

Other parts

AISI 304

Gaskets

EPDM according to FDA 177.2600

Mechanical seal

St.St./C/EPDM

External surface finish

bright polish



Open impeller

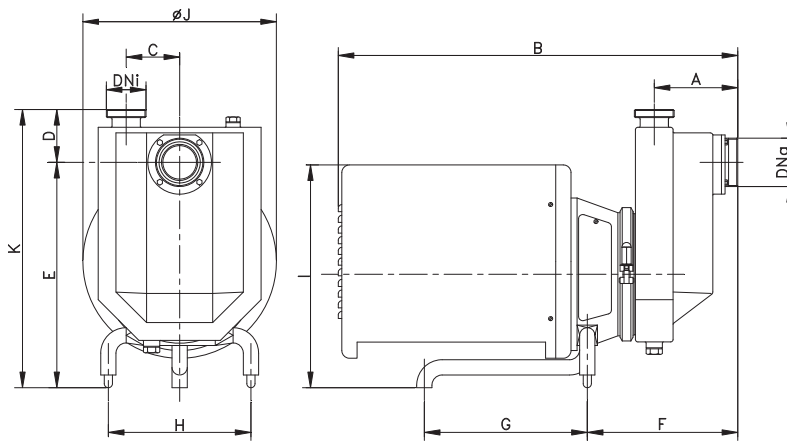


I Options

Bare-shaft construction for models SA-35 and SA-38.
 Mechanical seals: SiC/C or flushed SiC/SiC.
 Gaskets: FPM and PTFE.
 Connections: Clamp, SMS, RJT, etc.
 Motors with other protections.
 Trolley and/or control panel.

I Technical specifications

Max. flow 120 m³/h 528 GPM
 Max. head 60 mcl 87 PSI
 Max. suction pressure 40 mcl 58 PSI
 Max. working temperature 120 °C 248 °F
 Max. speed 3500 rpm



TYPE	Motor size	DNa	DNi	A	B	C	D	E	F	G	H	I	J	K	
SA-15	A	71	40 1½"	40 1½"	123	482	65	83	275	204	175	155	260	220	358
SA-20	B	80	65 2½"	50 2"	157	587	75	100	320	254	235	205	325	270	420
	C	90	65 2½"	50 2"	157	595 675	75	100	320 345	262 272	235 275	205	325 375	270 330	420 445
SA-26	B	80	65 2½"	50 2"	157	595 675	75	100	320 345	262 272	235 275	205	325 375	270 330	420 445
	E	100/112	65 2½"	50 2"	157	595 675	75	100	320 345	262 272	235 275	205	325 375	270 330	420 445
SA-28	B	80	40 1½"	40 1½"	121	550	92	73	345	217	235	205	325	270	418
	C	90	40 1½"	40 1½"	121	635	92	73	370	227	275	205	375	330	443
	E	100/112	40 1½"	40 1½"	121	635	92	73	370	227	275	205	375	330	443
SA-35	C	90	65 2½"	50 2"	164	600	105	106	385	270	235	205	325	270	491
	F	132	65 2½"	50 2"	164	785	105	106	450	293	320	280	445	380	556
SA-38	C	90	100 4"	80 3"	218	632	120	130	395	302	235	205	325	270	525
	E	110/112	100 4"	80 3"	218	717	120	130	420	312	275	205	375	330	550
	G	160	100 4"	80 3"	218	1000	120	130	510	368	425	320	555	465	640
	H	180	100 4"	80 3"	218	1000	120	130	510	368	425	320	555	465	640
	J	200	100 4"	80 3"	218	1143	120	130	630	513	550	335	725	650	760
	J	200	100 4"	80 3"	218	1143	120	130	630	513	550	335	725	650	760



The information contained in this brochure is for guidance only. We reserve the right to modify any material or feature without notice in advance. For further information, please, consult our ewbsite. www.inoxpa.com



FI.Prolac SA.2.EN-0609